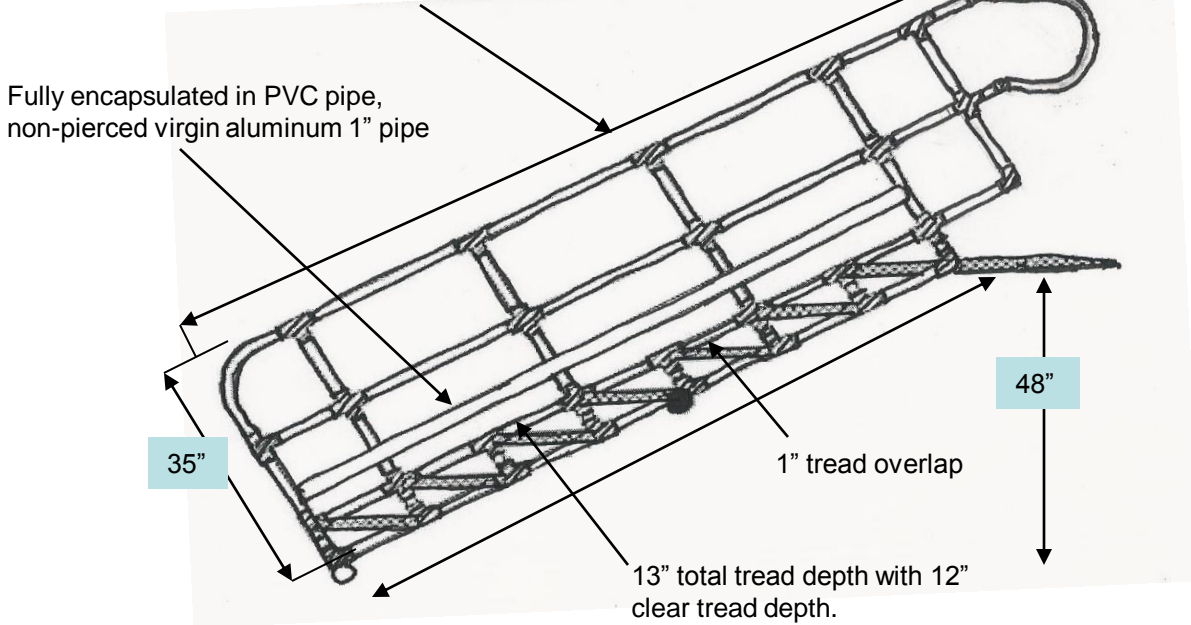


AquaTrek2, standard and ADA modified step system spec sheet

This example is for a 6-Tread step system with a 7" step riser *Drawing is not to scale.

Total length varies by number of treads and riser height
This example will extend into the pool area approx 6'4"



- Top rail height at 35" from tread nose
- Total tread depth is 13"
- Tread over lap is 1"
- Clear tread depth = 12"
- Tread width 30"
- Width between rails: ADA version = 23" and Standard version is 30"
- ADA version uses 1/8" HDPE plastic for closed risers, attached to back of treads.
- Both versions have the rail extensions above the platform
- System is mounted with two 2" stainless steel deck anchors mounted flush with deck.
- System has wheels on pool floor and deck wheels for removal